

# LPC-P150SAG-2TxD

15" (1024\*768) Defence P-cap Panel PC, Intel® Tigerlake-UP3 Core™ i3/i5 Processors, IP65 Aluminum Front Bezel, AG, Removable 2.5" HDD/SSD Tray, DC 12~24V Wide Range Power Input, -40~70°C



## Features

- ▶ Intel® Tigerlake-UP3 Core™ i3/i5 Processors
- ▶ 15" P-cap Flat Bezel
- ▶ 1024\*768 Resolution LCD
- ▶ MIL-STD EMC, Shock & Vibration
- ▶ Bezel-Free Design
- ▶ Fanless Design
- ▶ DC 12~24V Wide Range Power Input
- ▶ IP65 / 66 Front Panel
- ▶ Power Input by D38999 Connector

### System

|                   |  |
|-------------------|--|
| Processor         | Intel® TigerLake-UP3 Core™ i3/i5 Processors  |
| System Memory     | 2 x DDR4 SO-DIMM, up to 64GB   |
| External I/O Port | 4 x USB 3.2 Gen2 Ports<br>2 x RJ45 LAN (Intel® I225-LM supports 2.5GbE LAN)<br>1 x Display Port<br>1 x HDMI<br>4 x RS-232/422/485<br>1 x Audio out<br>1 x Power press button<br>1 x D38999 Connector for Power Input |
| Storage           | 1 x 2.5" Storage Bay<br>1 x M.2 M-key(NVME) 2280 Socket  |
| Operating System  | Windows 10 IoT Enterprise 2021 LTSC (64-bit, 21H2)<br>Windows 11 IoT Enterprise (64-bit, 21H2, Pre-test)<br>Linux Ubuntu 22.04 (64-bit, by request)<br>Linux Yocto Project 3.1 (64-bit, by request)                  |
| Expansion         | 1 x M.2 B-key 2242/3042 (SATA 3.0, PCIe x1, USB 2.0)<br>1 x M.2 E-key 2230 ( PCIe x1, USB 2.0)   |

### LCD

|                 |             |
|-----------------|-------------|
| Display Type    | 15" TFT LCD |
| Max. Resolution | 1024*768    |
| Max. Color      | 16.2M       |
| Luminance       | 350 nits    |
| Contrast Ratio  | 800 : 1     |
| View Angle      | 80/80/60/80 |

### Power Requirement

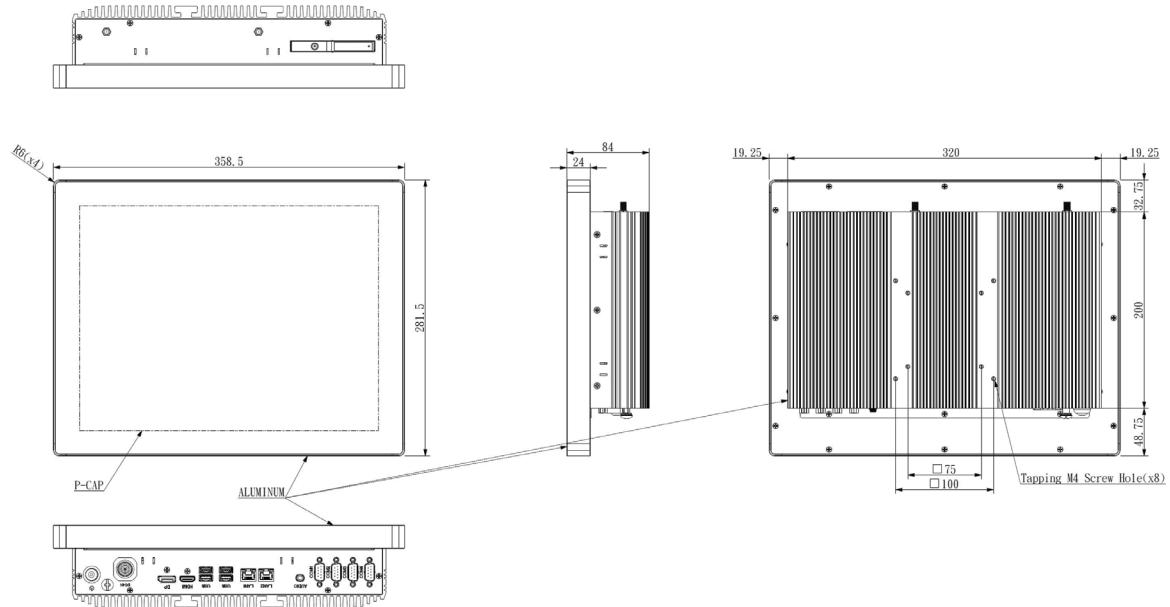
|             |  |
|-------------|--|
| Power Input | DC 12~24V Wide Range Power Input with 19Vdc MIL-STD-461G Adapter |
|-------------|--|

### Environment

|                   |   |
|-------------------|---|
| Mounting          | VESA Mount 75 x 75 / 100 x 100 by M4 Screw Hole, Panel Mount  |
| Cerfification     | FCC / CE Class A Certification<br>MIL-STD-461G CE101/CE102 Compliante   |
| Operating Temp    | -40~70 °C · IEC-60068-2-1/2/14  |
| Storage Temp      | -40~70 °C   |
| Humidity          | 10~90% @40 °C, non-condensing   |
| Vibration & Shock | MIL-STD-810H, Method 514.8, Procedure I, 5~500Hz (Compliance)<br>MIL-STD-810H, Method 516.8, Procedure I, 20g 11ms (Compliance) |
| Dimension         | 358.5 x 281.5 x 84 mm   |

\* All specifications are subject to change without prior notice.

## Dimension & I/O Connector



### Ordering Information

|                  |  |
|------------------|--|
| LPC-P150SAG-2T3D | 15" (1024*768) Defence P-cap Panel PC, Intel® Tigerlake-UP3 Core™ i3-1115G4E, IP65 Aluminum Front Bezel, AG, Removable 2.5" HDD/SSD Tray, DC 12~24V Wide Range Power Input, -40~70°C |
| LPC-P150SAG-2T5D | 15" (1024*768) Defence P-cap Panel PC, Intel® Tigerlake-UP3 Core™ i5-1145G7E, IP65 Aluminum Front Bezel, AG, Removable 2.5" HDD/SSD Tray, DC 12~24V Wide Range Power Input, -40~70°C |

### Ordering Code

LPC-P150SAG-2TxD    -H / -OB / -B / -AG / -AR / -V

H = High Brightness 1000 nits LED backlight

OB = Optical Bonding

B = Glass Without Touch

AG = Anti-Glare

AR = Anti-Reflection

V = Vandal Proof Glass (By Project)

\* All specifications are subject to change without prior notice.